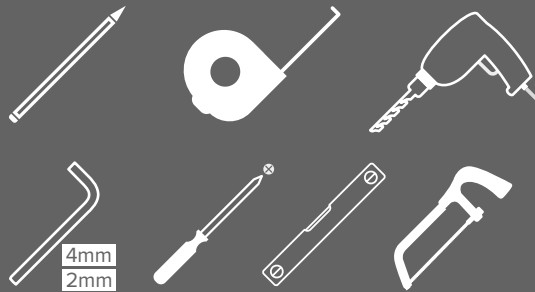


HOW TO FIT THE MODULAR STORAGE SYSTEM

Assembly Instructions

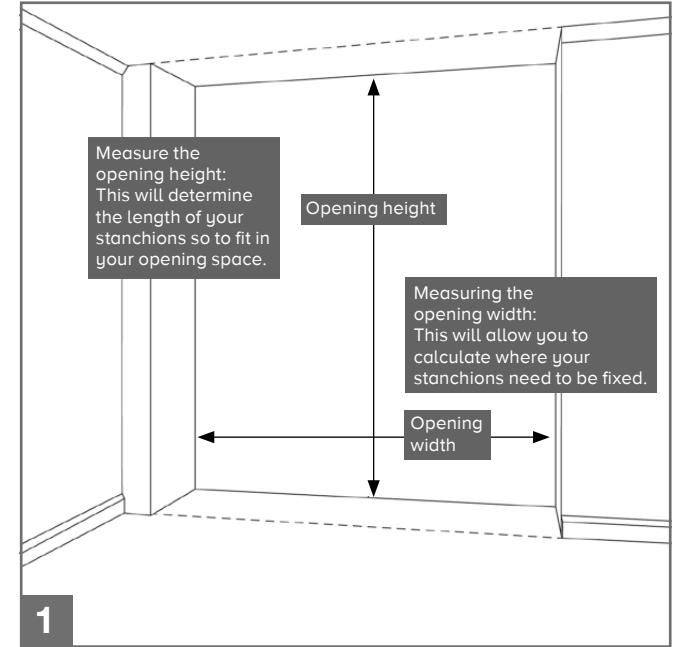
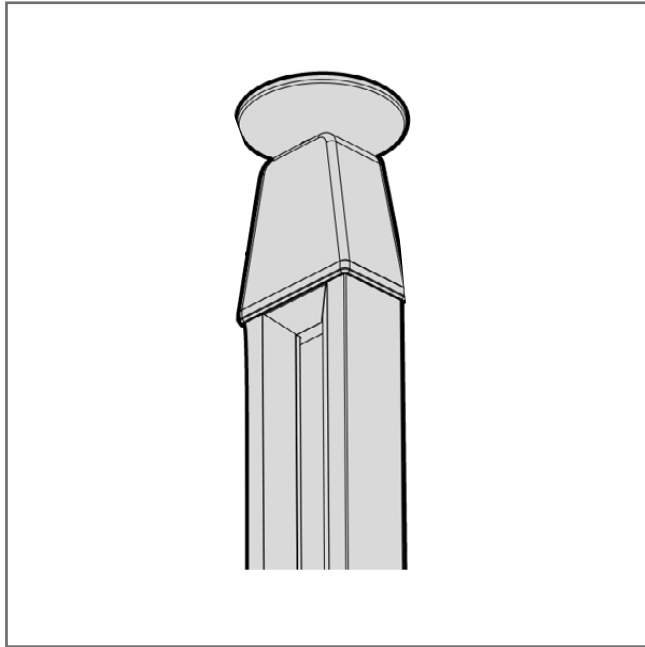
TOOLS REQUIRED:



! Please check your opening for any hidden electrical wires and water pipes before / screwing.

⊘ Screws not supplied. Use suitable screws and plugs.

V2



How to divide your space for the modular storage systems. Components come in different widths depending on what kit you have purchased. But no matter what size, the same rules apply:

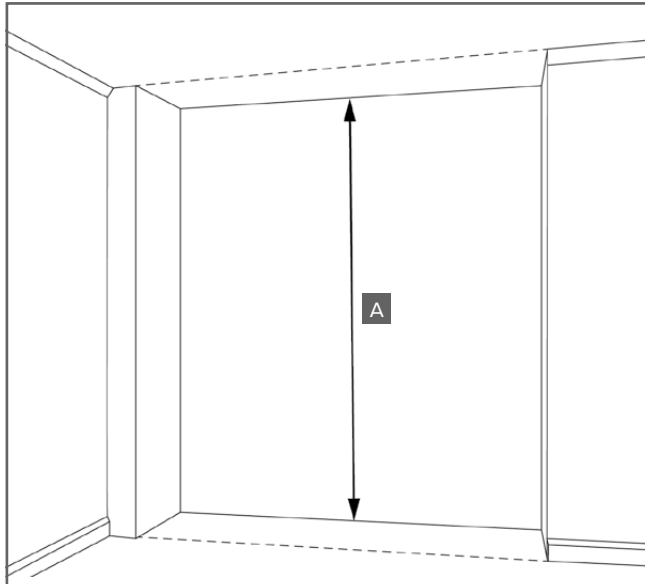
$$\text{Component width} + 25\text{mm} = \text{Stanchion spacing (centre to centre)}$$

FOR EXAMPLE:

For a 500 wide component measure 525mm from centre point to centre point for each stanchion.

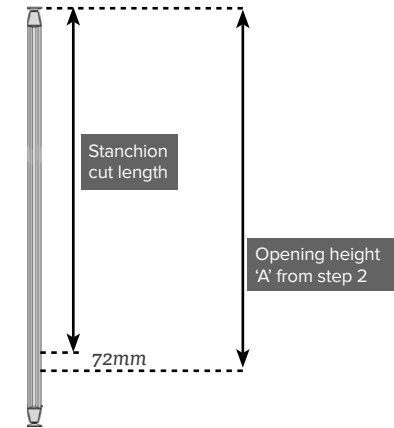
CUTTING/ADJUSTING THE STANCHIONS

If you need to cut down the stanchions for any reason, follow the next steps



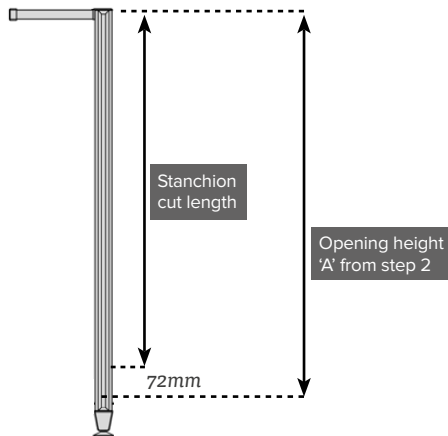
2 Measure the height of your space.

Floor to ceiling
Opening height "A" - 72mm = Stanchion cut length

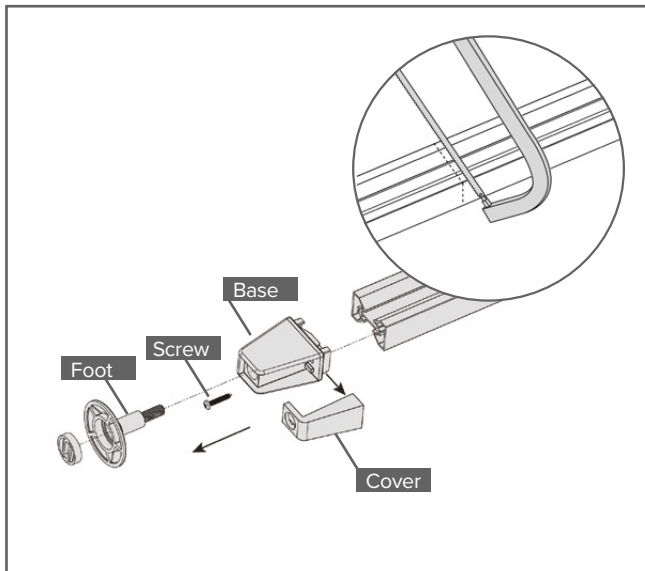


3 Measure down from the top of the stanchion to your desired height and mark (allowing 72mm for the foot). Skip to Step 5.

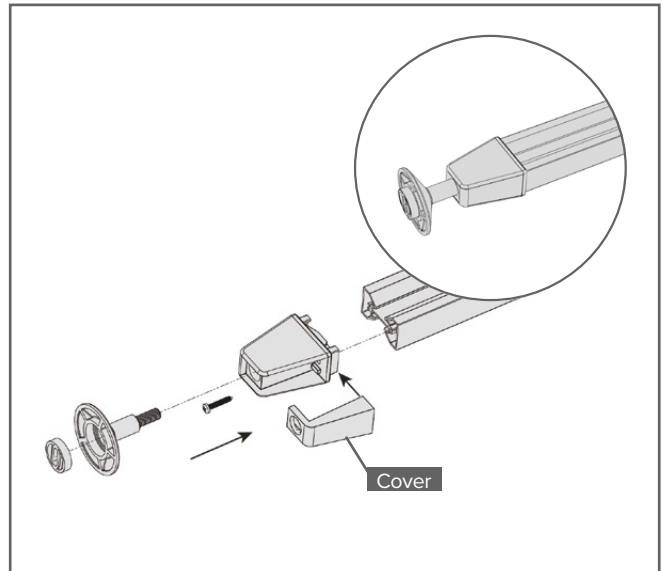
Floor to wall
Opening height "A" - 72mm = Stanchion cut length



4 Measure down from the top of the stanchion to your desired height and mark (allowing 72mm for the foot).



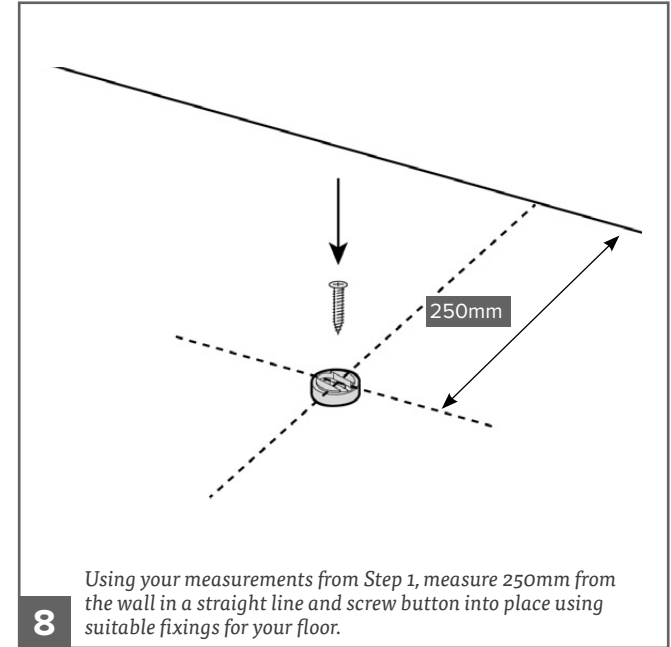
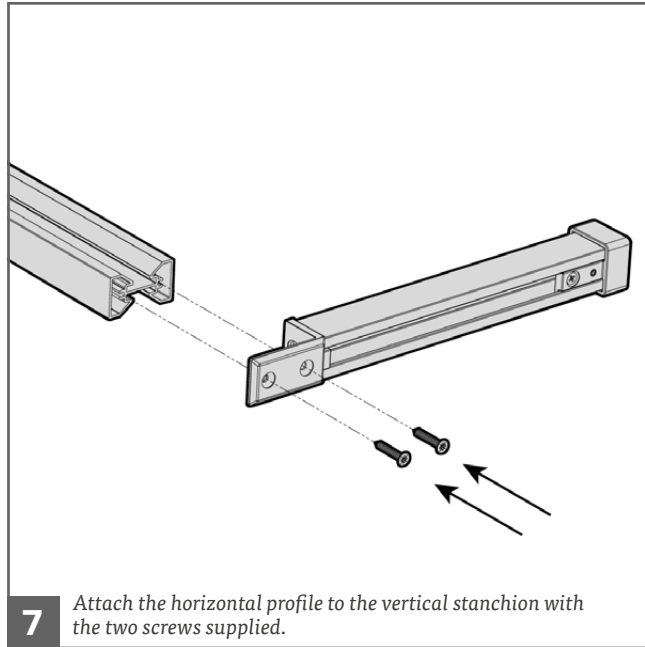
5 1. Remove adjustable foot. 2. Remove the cover by sliding horizontally. 3. Loosen screw. 4. Remove base. 5. Cut stanchion to required height (following Step 3).



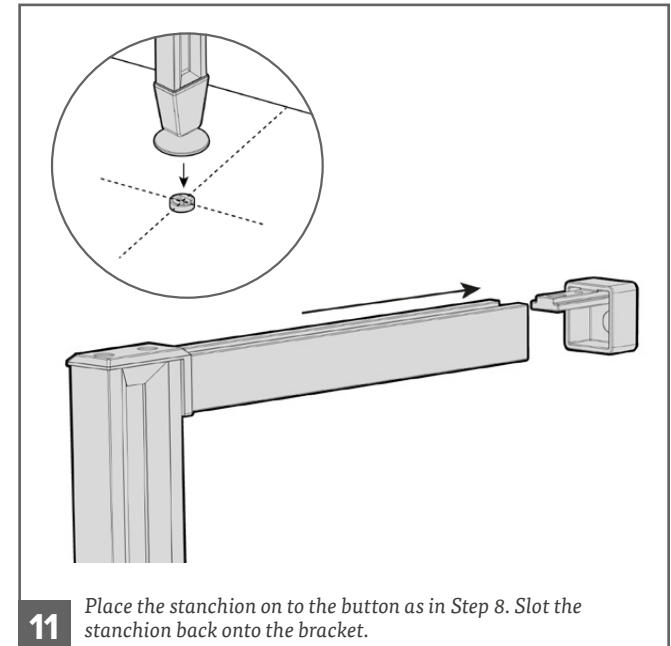
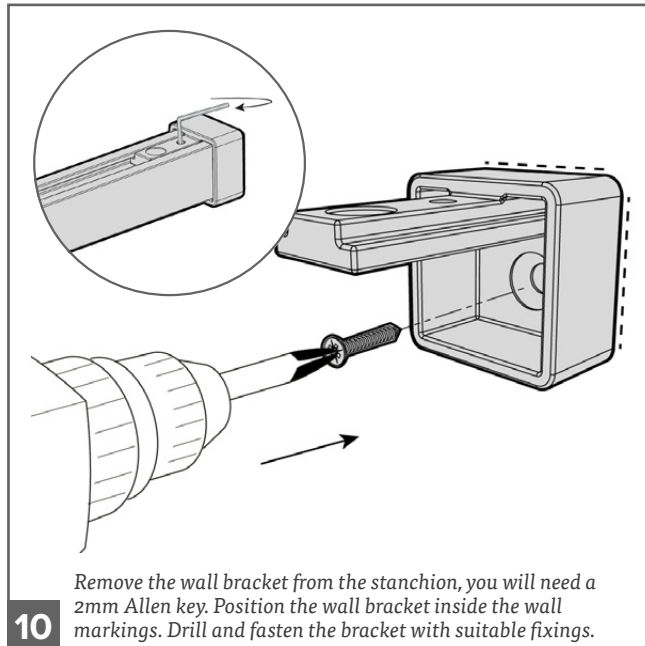
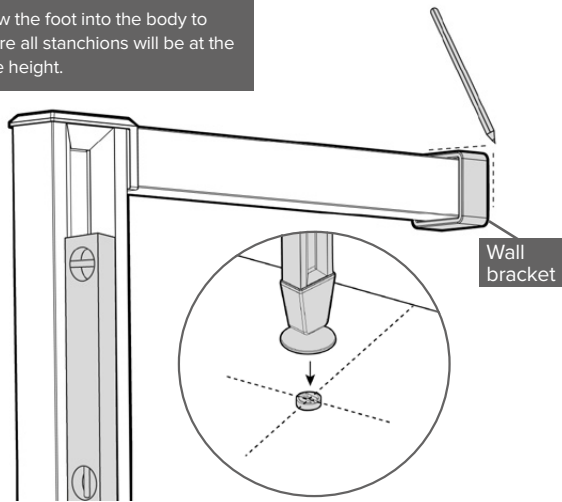
6 Once the stanchion is cut, re-attach the foot assembly as per Step 4.

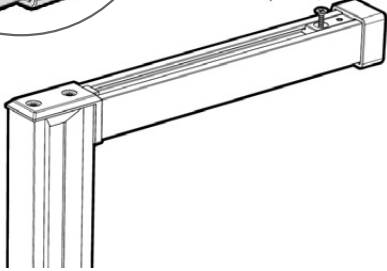
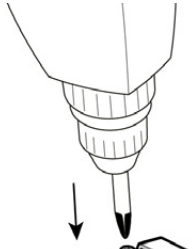
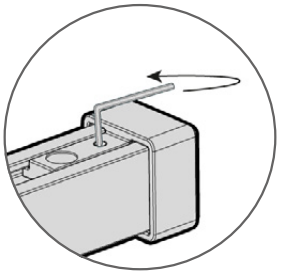
FLOOR TO WALL STANCHIONS

Assembly & fitting guide



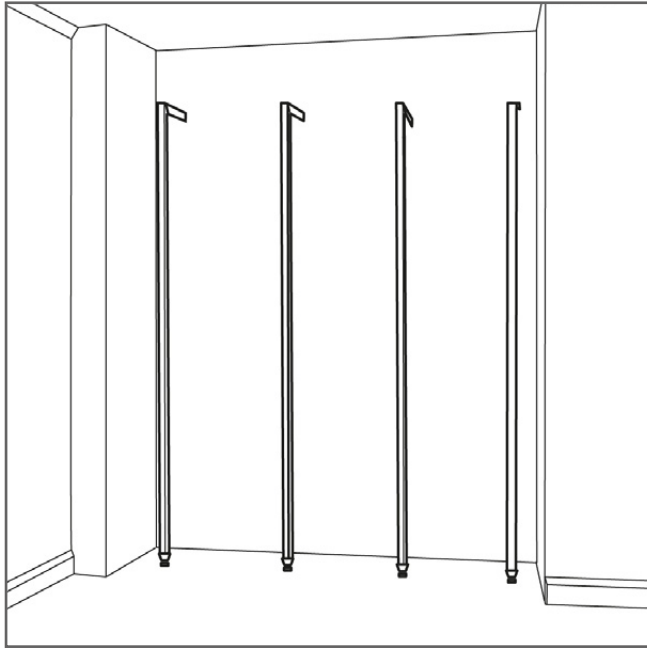
Tip:
Screw the foot into the body to ensure all stanchions will be at the same height.





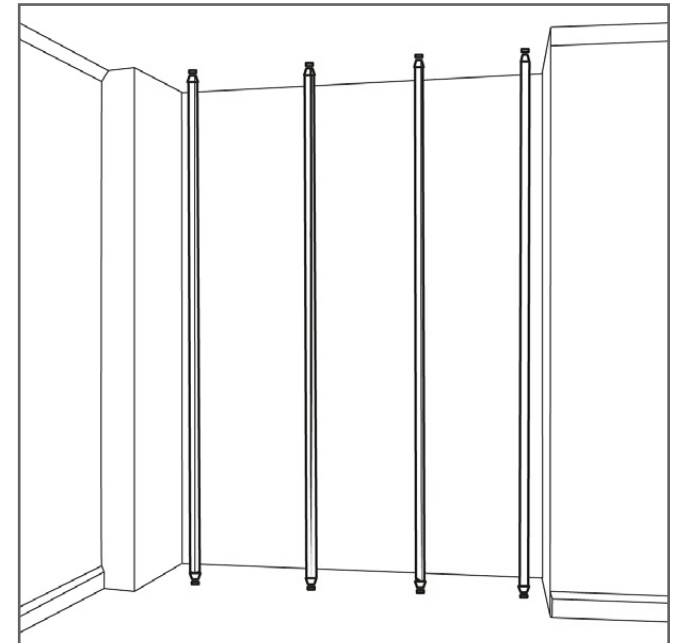
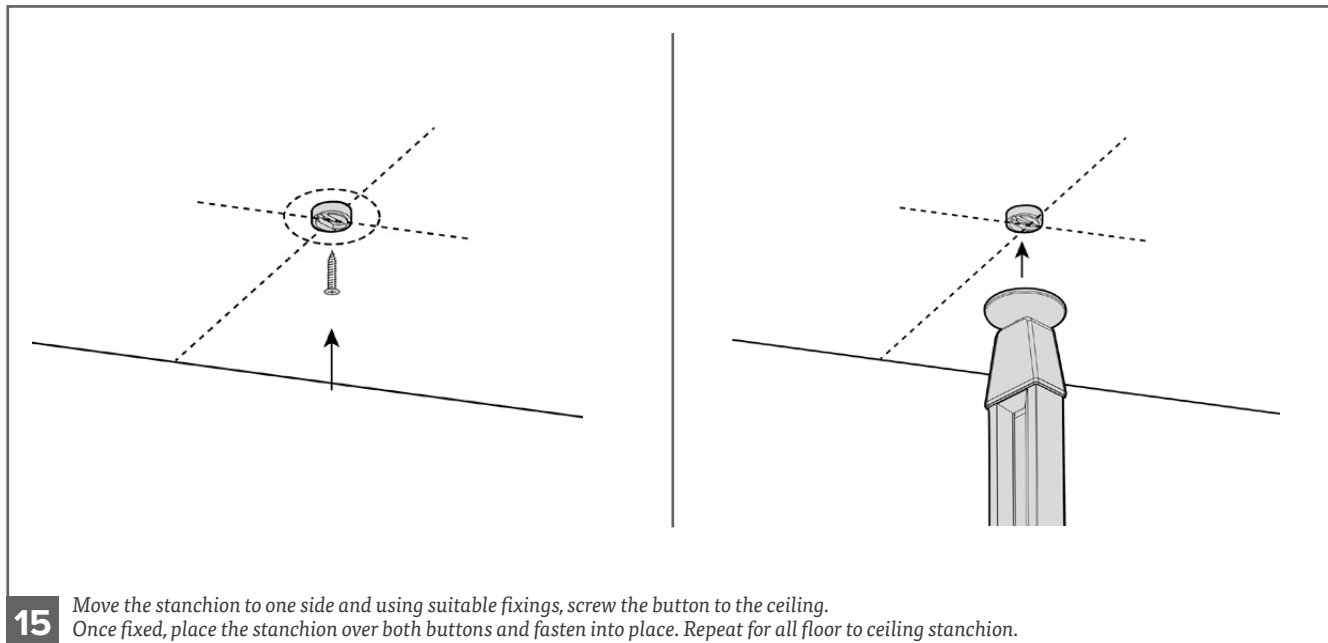
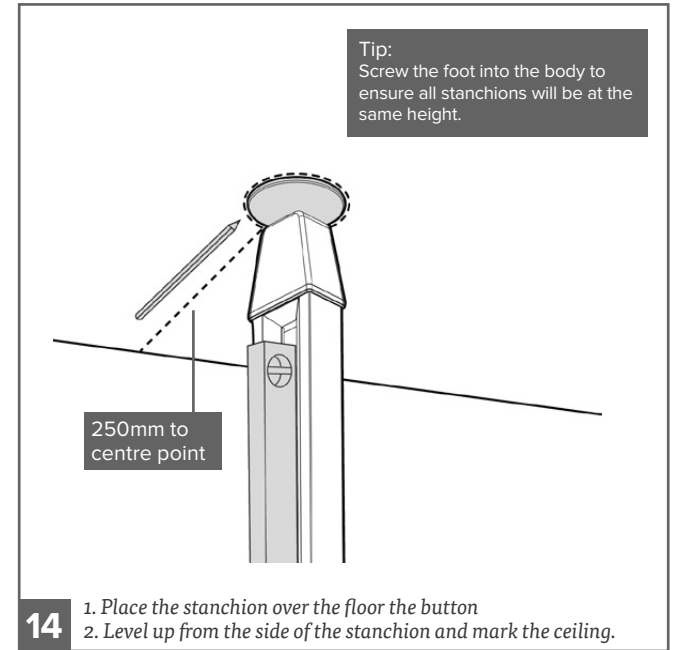
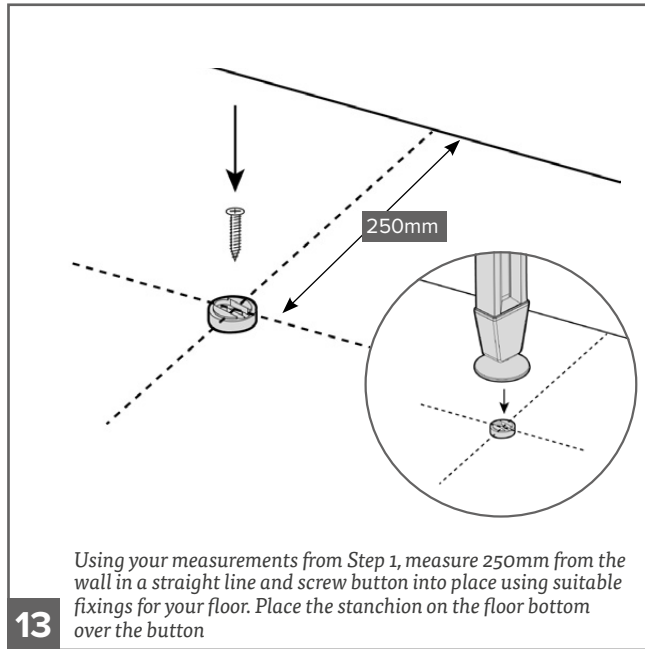
Lock the stanchion into the wall bracket with the grub screw. The wall bracket allows for 15mm adjustment. Screw in the supplied screw into the pilot hole to secure the whole installation. Repeat for each floor to wall stanchion.

12



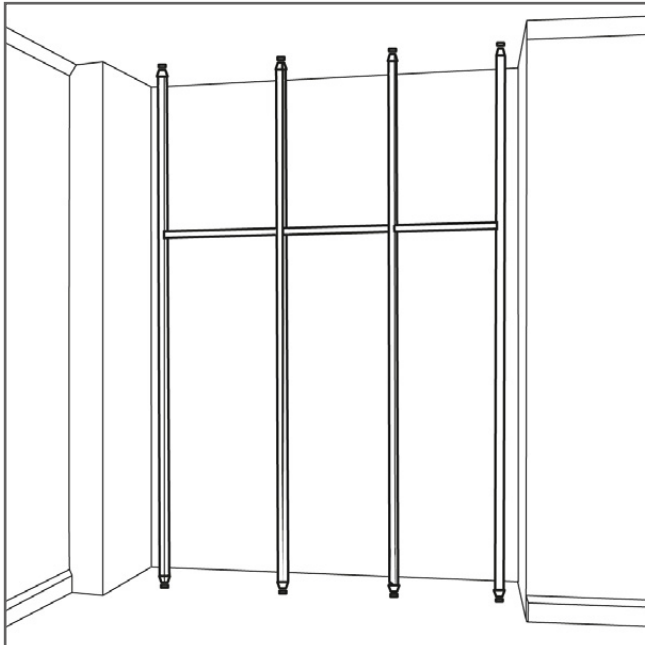
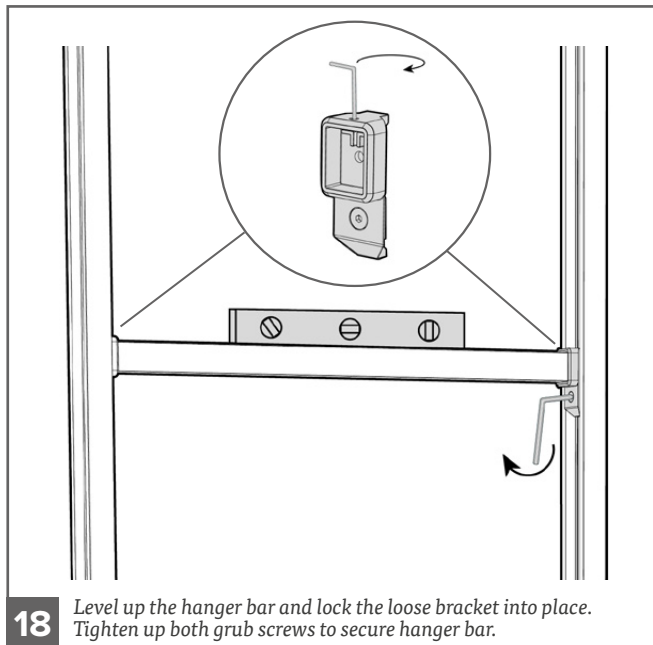
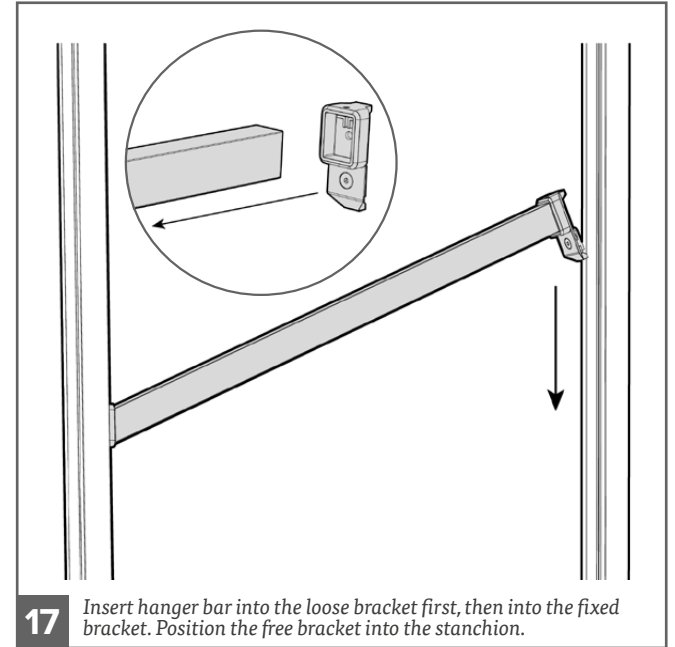
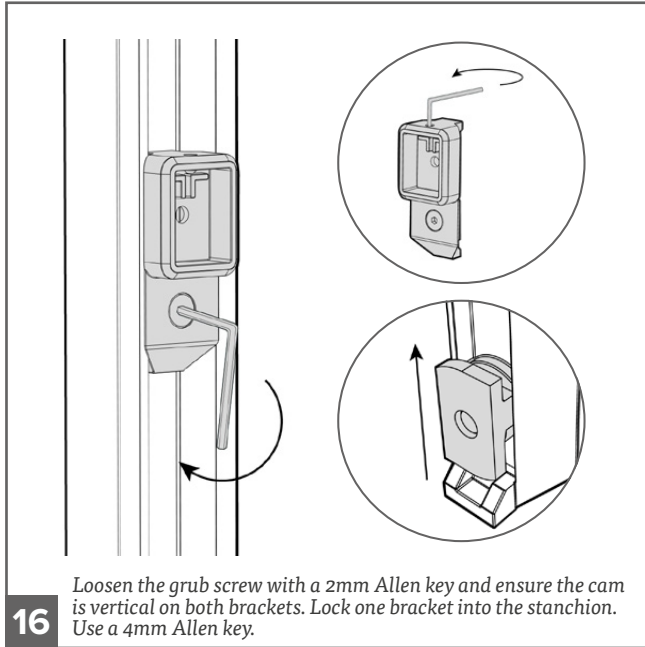
FLOOR TO CEILING STANCHIONS

Assembly & fitting guide



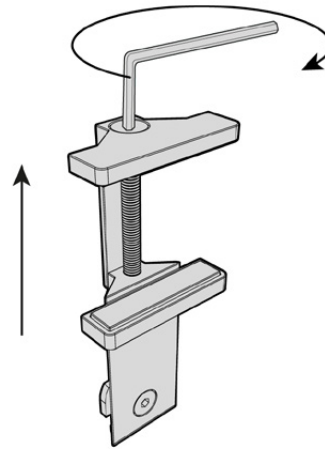
HANGER BARS

Assembly & fitting guide

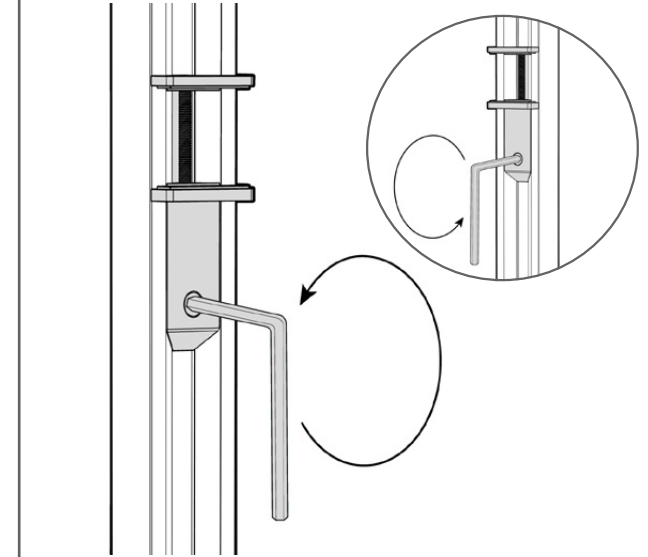


SHELF & SHELF BRACKETS

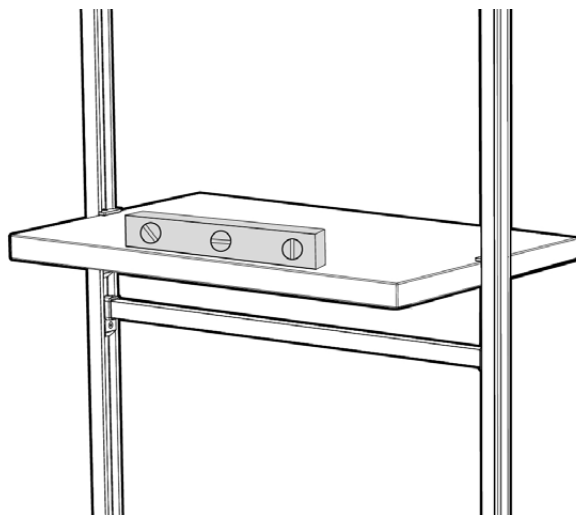
Assembly & fitting guide



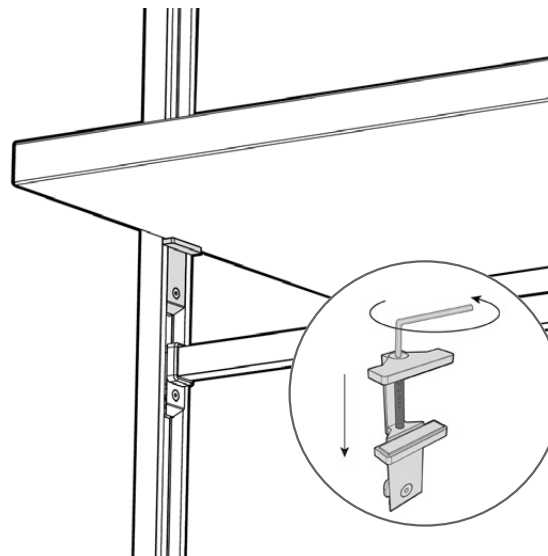
19 Open both brackets by using a 4mm Allen key.



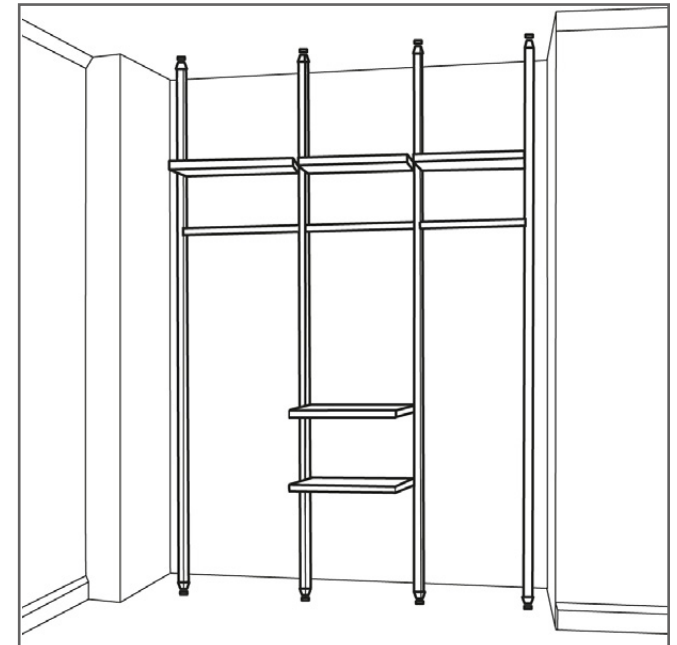
20 Position and lock both brackets into the stanchion. Use a 4mm Allen key.



21 Insert the shelves into the brackets and level up by slightly loosening 1 screw at a time (see Step 18).

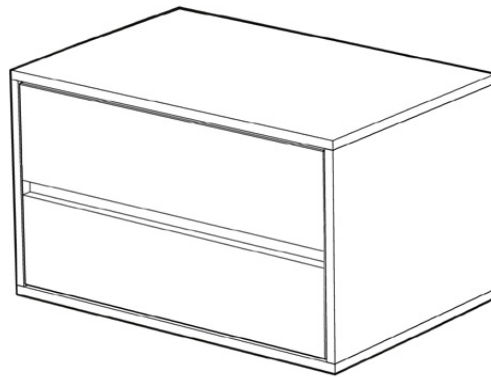


22 Secure the shelf into place by tightening the top bolt of the bracket.

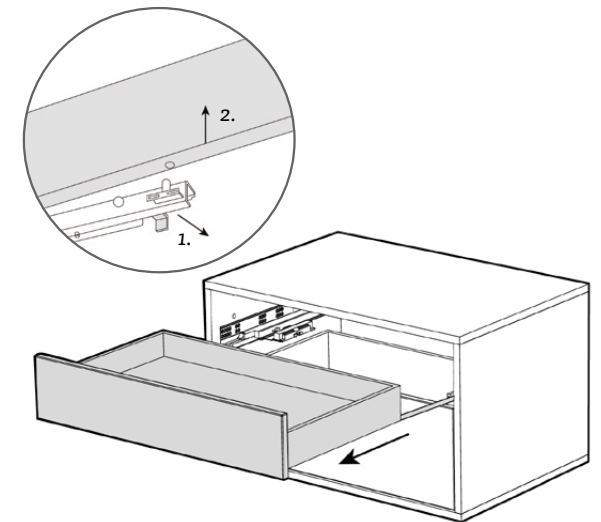


DRAWER UNITS & DRAWER BRACKETS

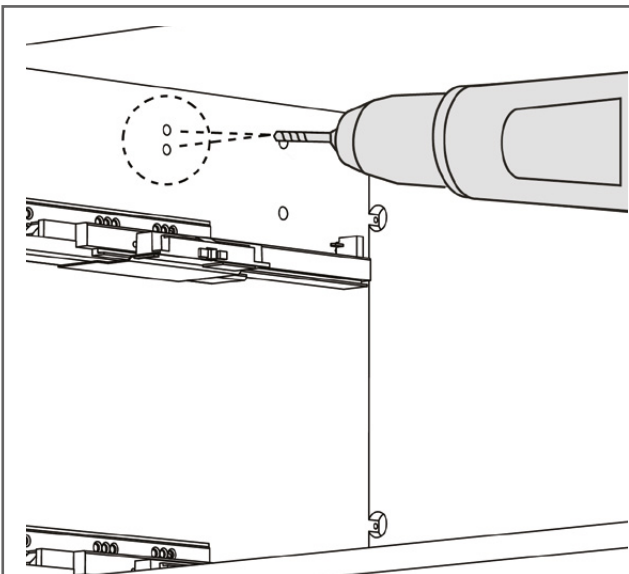
Assembly & fitting guide



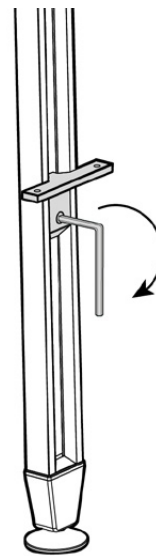
23 To install the drawer box you will need to remove the drawers.



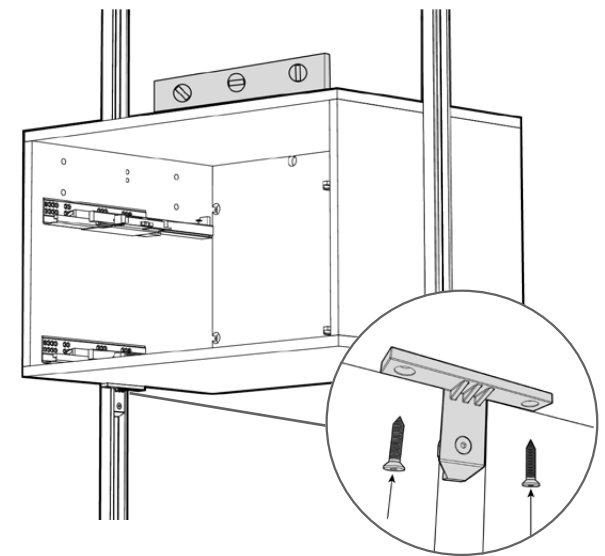
24 Pull the drawer out to expose the runner. 1. Unclip from the runner and slide towards the centre of the drawer. 2. Lift the drawer free. Repeat for each drawer.



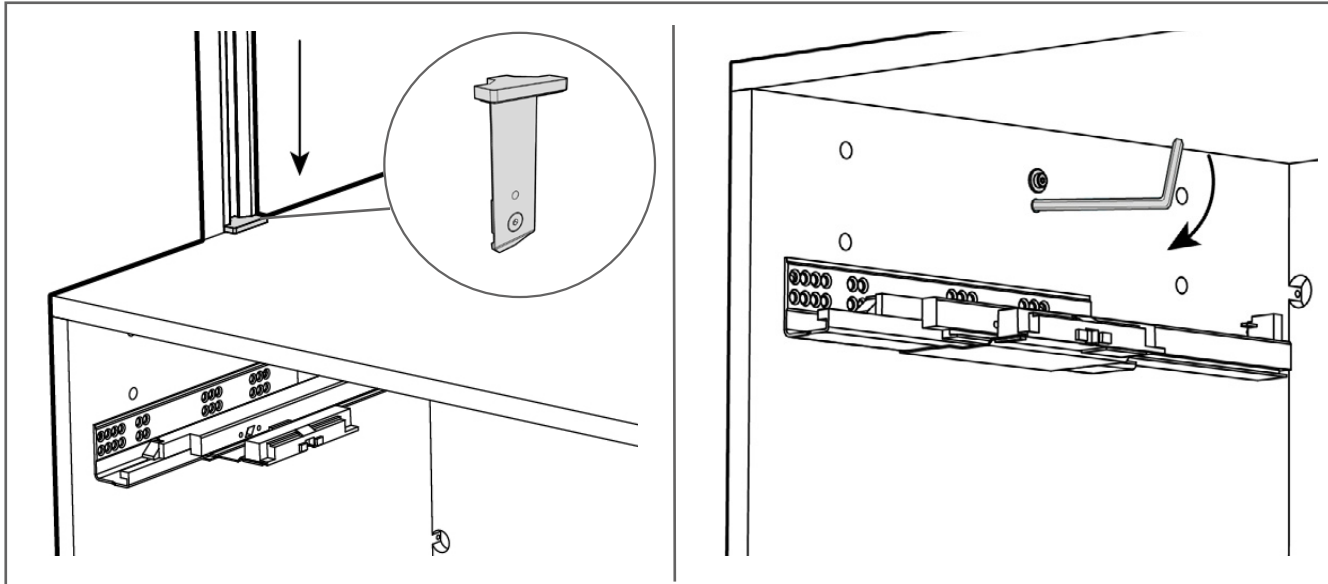
25 Drill 8mm holes through the two middle pilot holes on both sides.



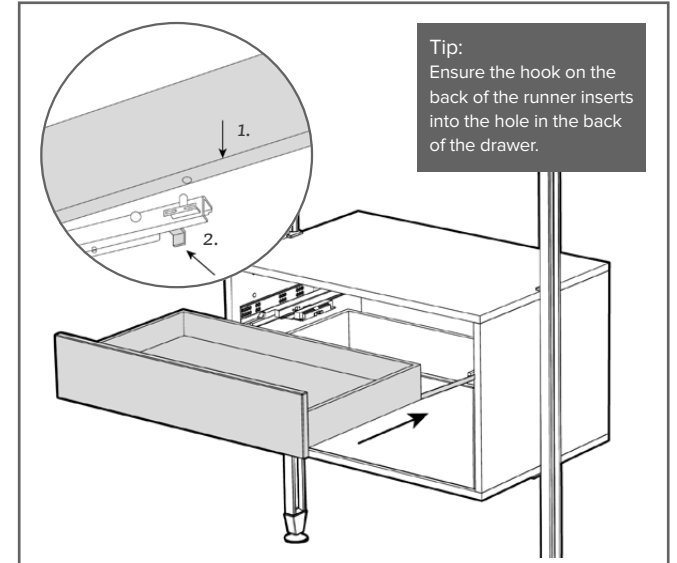
26 Position and lock brackets into the stanchions. Repeat for all sides.



27 Position the drawer box onto the brackets and level up. Secure the drawer box from underneath with the screws provided.

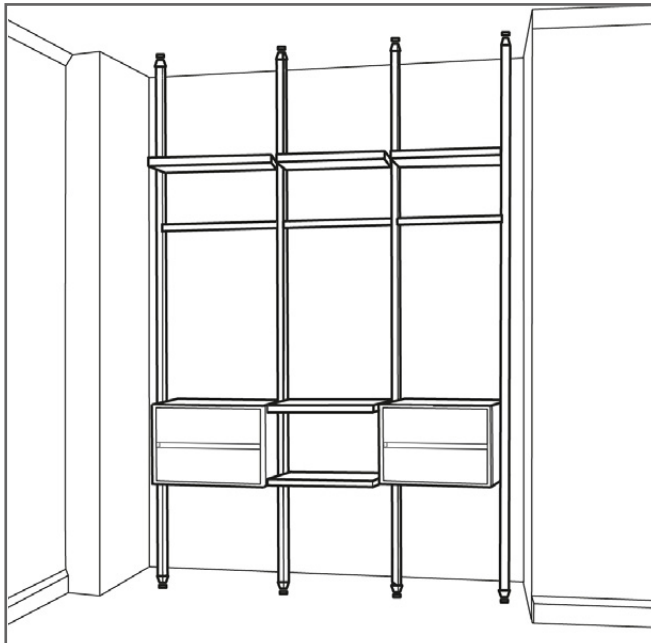


28 Position the top bracket into place in the stanchion. Lock the bracket into the stanchion through the lower pilot hole. Secure the drawer box into place with a bolt supplied through the top hole into the stanchion and tighten.



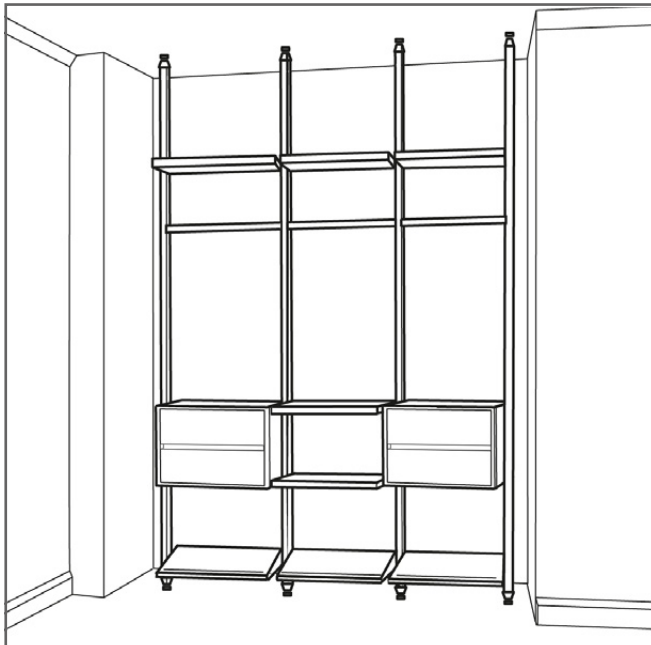
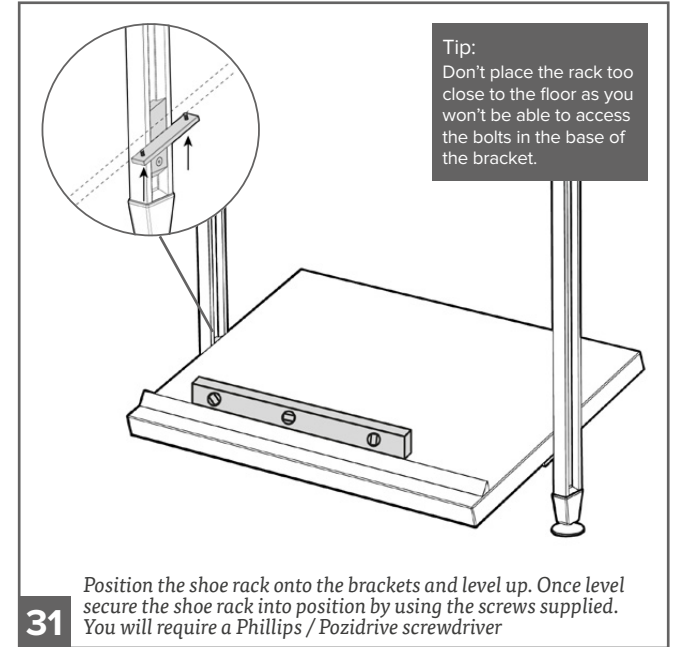
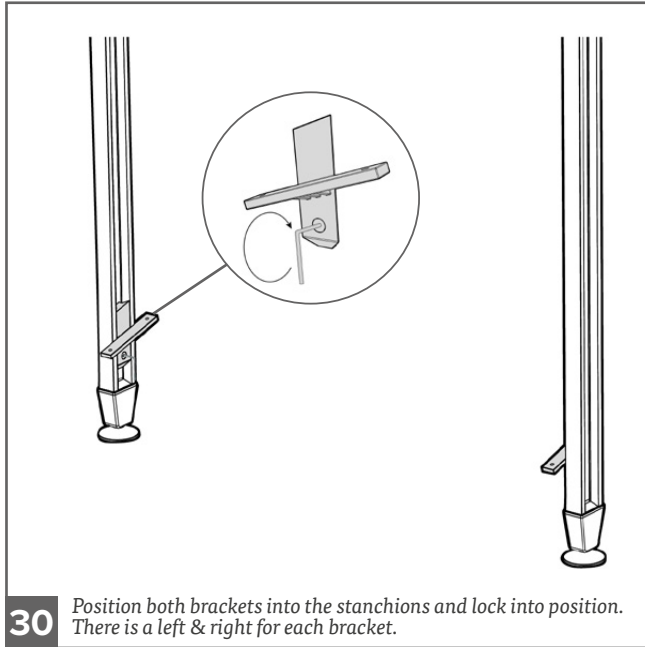
Tip:
Ensure the hook on the back of the runner inserts into the hole in the back of the drawer.

29 1. Place the drawer box onto the runner.
2. Push the clip to secure the drawer box onto the runner.
Repeat on all draws.



SHOE RACKS

Assembly & fitting guide



A GUIDE TO FIXINGS



Wall & Ceiling Fixings: You must first identify the type of wall or ceiling you intend to fix product onto and then contact your local hardware store if the fixings supplied are not suited to your wall or ceiling type. Care and Maintenance: Safety: Always check the fitting and location to ensure your safety in and around the home. Fitting: From time to time check the fitting to ensure the wall plugs or screws do not become loose.

IMPORTANT NOTE: When drilling into walls always check that there are no hidden wires or pipes etc. Make sure that the screws and plugs being used are suitable for supporting your unit. Always consult a qualified trades person if you are unsure.

Tips: 1. Ensure you use the recommended drill bit to match the wall plug and hole size.

Tips: 2. Ensure you drill the hole straight, do not force the drill or enlarge the hole.

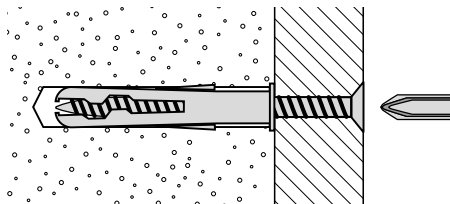
Tips: 3. Take extra care when drilling high walls, ceilings and ceramic tiles. Ensure wall plugs are inserted beyond the thickness of the ceramic tiles to avoid the tiles splitting or cracking.

Tips: 4. Ensure wall plugs are well fitted and are a tight fit in the drilled hole.

Types Of Structures:

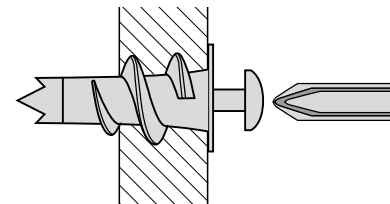
You can use one of the following types of wall plug if your walls are made of brick, breeze block, concrete, stone or wood.

1: General Purpose / Concrete or Block Work wall plug. NOT supplied.



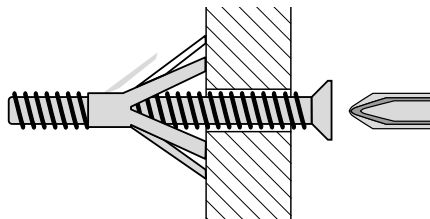
Generally aerated blocks should not be used to support heavy loads, use a specialist fitting in this case. For light loads, general purpose wall plugs can be used.

2: Plasterboard wall plug. NOT supplied.



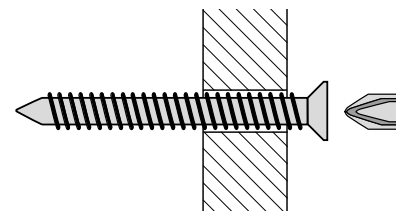
For use when attaching light loads on to plasterboard partitions.

3: Cavity Fixing wall plug. NOT supplied.



For use with plasterboard partitions or hollow wooden doors.

4: Wooden Structure. Screws provided.



If you know you are fixing directly into a wooden batten, the screws provided do not require a plug.